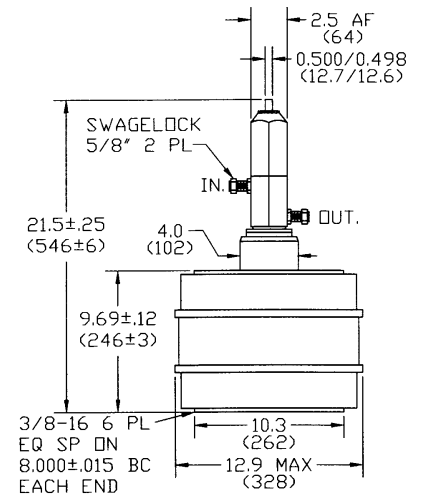


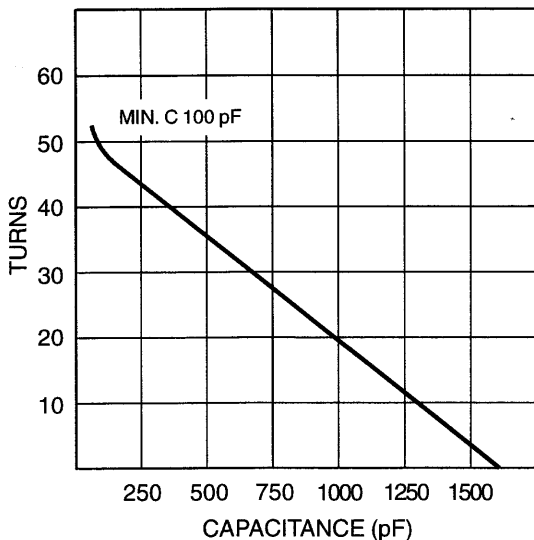


CWV4 1600 SPECIFICATIONS

Model Number	CWV4-1600-0050	CWV4-1600-0055	CWV4-1600-0060
Capacity Range (pF)	100-1600	100-1600	100-1600
Voltage (kV) Peak			
Test	50	55	60
Working	30	33	36
Current Amps (RMS) Max.	1000†	1000†	1000†
Type	Ceramic	Ceramic	Ceramic
Nominal Dimensions			
Length (in. / mm)	21.50 / 546.10	21.50 / 546.10	21.50 / 546.10
Diameter (in. / mm)	12.90 / 327.00	12.90 / 327.00	12.90 / 327.00
Torque (in Lbs.) Max.	17	17	17
Direct Pull (Lbs.) Max.	250	250	250
Weight (Nominal)	125 lb.	125 lb.	125 lb.
NOTES: <i>Mounting:</i> Both ends have tapped holes. † Water cooling.			



CAPACITY vs TURNS
Typical Data



CONTINUOUS RMS AMPERES vs FREQUENCY
(at 36kV PEAK WORKING VOLTAGE)

